

- Economical panel mounted Delay on Make timer
- Multi-timing ranges from 0.05 Sec to 30 Min
- Voltages from 24VAC/DC, 110VAC, 220VAC
- Time setting displayed on dial
- 2 output relays 5A / 250Vac, Resistive



Part Numbers			Time Ranges
24VAC / DC	110VAC	220VAC	
88 888 111	88 888 115	88 888 117	0.05 to 5 sec
88 888 131	88 888 135	88 888 137	0.6 to 60 sec
88 888 151	88 888 155	88 888 157	3 to 300 sec
88 888 171	88 888 175	88 888 177	0.3 to 30 min

General Specifications

Supply Voltage Un	24VAC / DC 110VAC 220VAC
Operating Range	+/-15%
Frequency	50 / 60 Hz
Power Consumption	4.8 VA / 230Vac 2.5 VA / 110Vac 1.1 VA / 24Vac 0.5 W / 24Vdc 0.8 W / 12Vdc
4 Timing Ranges Available	0.05 to 5 sec, 0.6 to 60sec, 3 to 300sec, 0.3 to 30min
Repetition Accuracy	+/- 1% at constant temperature
Temperature drift according to IEC / EN 61812	+/- 0.05% of full scale
Display Accuracy	+/-5% of full scale at 25C

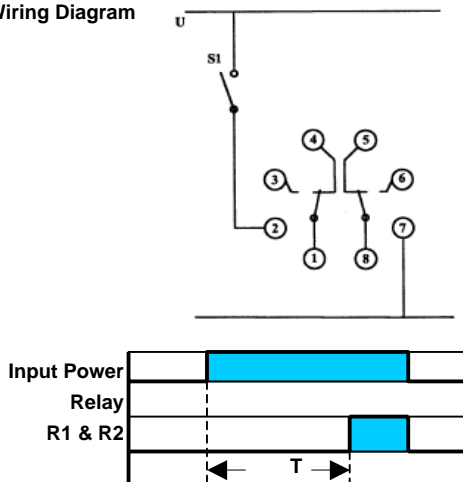
Output Specifications

Nominal Rating	2 x 5A
Nominal insulation voltage	250Vac
Rated power (resistive load)	2000VA
Minimum Current	10mA
Electrical life at max I Vac resistive (# of operations)	10 ⁵
Mechanical Life	30 x 10 ⁶

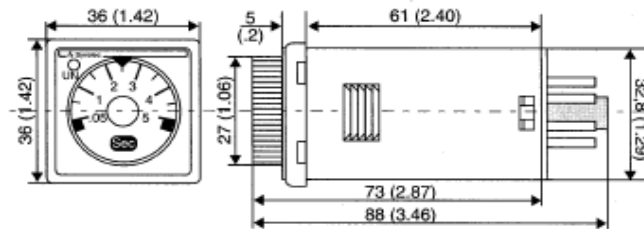
Function & Use

Operating Temperature range	-10 to +60°C
Storage Temperature range	-25 to +70°C
Breakdown Voltage	2 KV
Protection Class (IEC 60529) - Panel Mounted	IP50
Protection Class (IEC 60529) - Casing	IP40
Housing Material	Self extinguishing
Weight (g)	60g

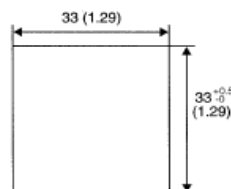
Wiring Diagram



DIMENSIONS



CUTOUT



MOUNTING CLIP

